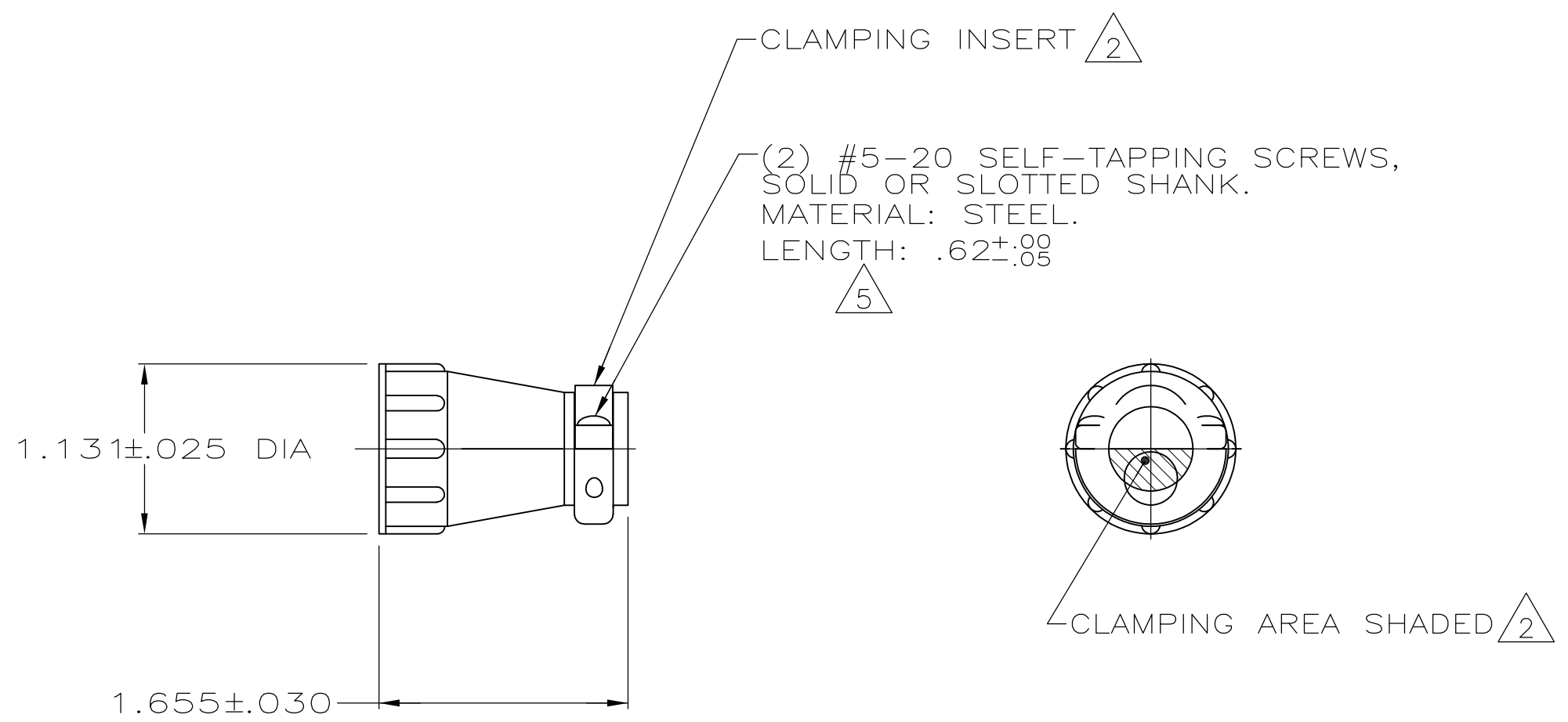


THIS DRAWING IS UNPUBLISHED. RELEASED FOR PUBLICATION  
 © COPYRIGHT - By - ALL RIGHTS RESERVED.

|     |      |           |     |                           |         |     |      |
|-----|------|-----------|-----|---------------------------|---------|-----|------|
| LOC | DIST | REVISIONS |     |                           |         |     |      |
| BD  | 0    | P         | LTR | DESCRIPTION               | DATE    | DWN | APVD |
|     |      | M1        |     | REVISED PER ECO-11-004917 | 11MAR11 | RK  | HMR  |



- 1 PARTS PACKAGED UNASSEMBLED.
- 2 CABLE CLAMPING AREA ADJUSTABLE FROM .100 TO .410 SQ IN BY REVERSING CLAMPING INSERTS.
- 3 .703 MAXIMUM CABLE OUTSIDE DIAMETER.
- 4 BULK PACKAGED KITS TO BE ORDERED IN MULTIPLES OF 100 ONLY.
- 5 FINISH: ZINC NON-HEXAVALENT CHROMATE.

|           |   |                                   |          |
|-----------|---|-----------------------------------|----------|
| 5         | 4 | BULK                              | 207008-6 |
| 5         | 4 | INDIVIDUAL                        | 207008-5 |
| 5         | 4 | SUPERSEDED BY 207008-6 BULK       | 207008-2 |
| 5         | 4 | SUPERSEDED BY 207008-5 INDIVIDUAL | 207008-1 |
| PACKAGING |   | PART NUMBER                       |          |

|  |  |                  |            |  |                            |               |  |
|--|--|------------------|------------|--|----------------------------|---------------|--|
| THIS DRAWING IS A CONTROLLED DOCUMENT. |  | DWN              | A GRAFF    | 4/23/91                                    | <b>STE</b> TE Connectivity |               |  |
| DIMENSIONS: INCHES                     |  | CHK              | W.G.LENKER | 7-23-92                                    |                            |               |  |
| TOLERANCES UNLESS OTHERWISE SPECIFIED: |  | APVD             | -          | -  | NAME                       |               |  |
| 0 PLC ± -                              |  | PRODUCT SPEC     |            | CABLE CLAMP KIT, LARGE, SHELL SIZE 13, CPC |                            |               |  |
| 1 PLC ± -                              |  | 108-10024        |            | SIZE                                       |                            |               |  |
| 2 PLC ± -                              |  | APPLICATION SPEC |            | CAGE CODE                                  |                            | DRAWING NO    |  |
| 3 PLC ± -                              |  | -                |            | A300779                                    |                            | C-207008      |  |
| 4 PLC ± -                              |  | WEIGHT           |            | -  |                            | RESTRICTED TO |  |
| ANGLES ± -                             |  | CUSTOMER DRAWING |            | SCALE                                      |                            | SHEET         |  |
| FINISH                                 |  | -                |            | 1:1  |                            | 1 OF 1        |  |
| MATERIAL                               |  | THERMOPLASTIC    |            | -  |                            | REV           |  |
|  |  |                  |            |  |                            | M1            |  |

# Mouser Electronics

Authorized Distributor

Click to View Pricing, Inventory, Delivery & Lifecycle Information:

[TE Connectivity:](#)

[207008-5](#)